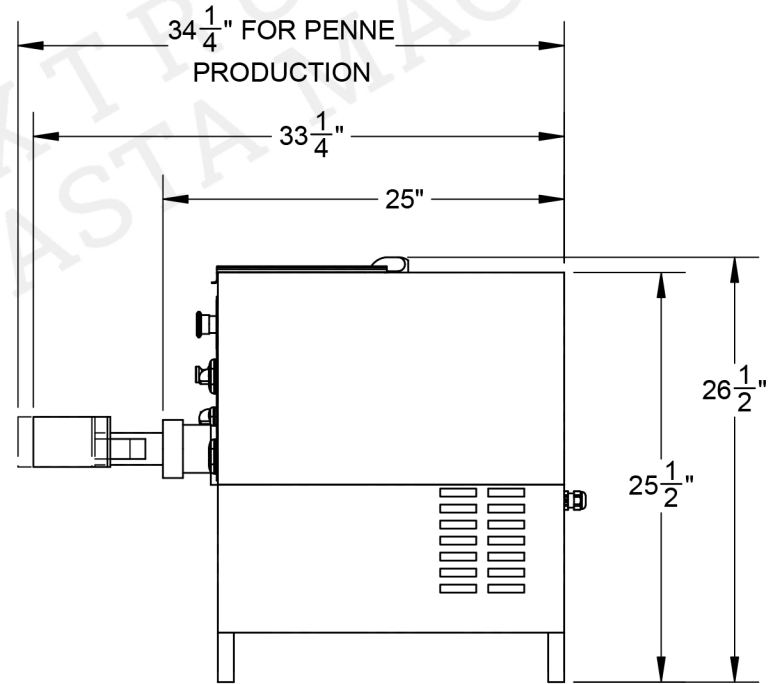
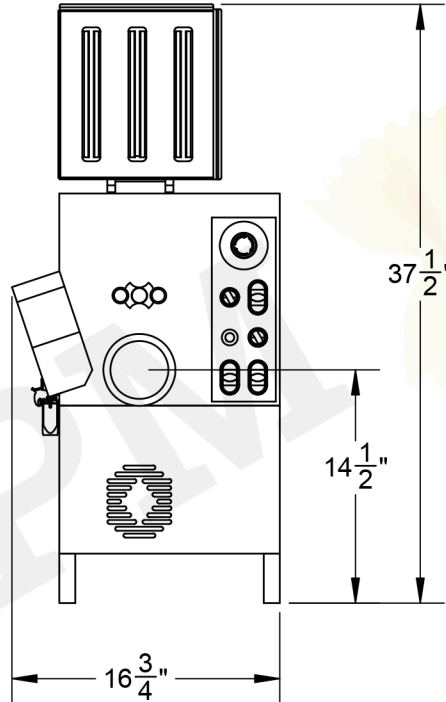
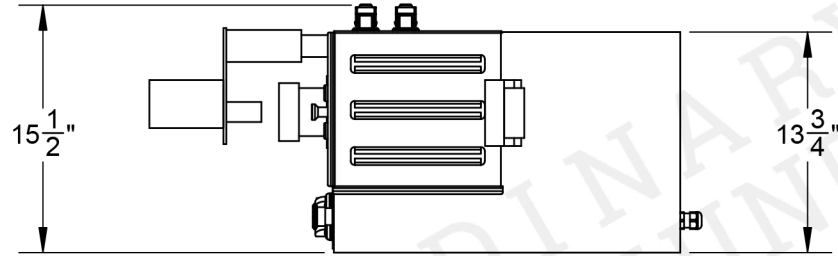
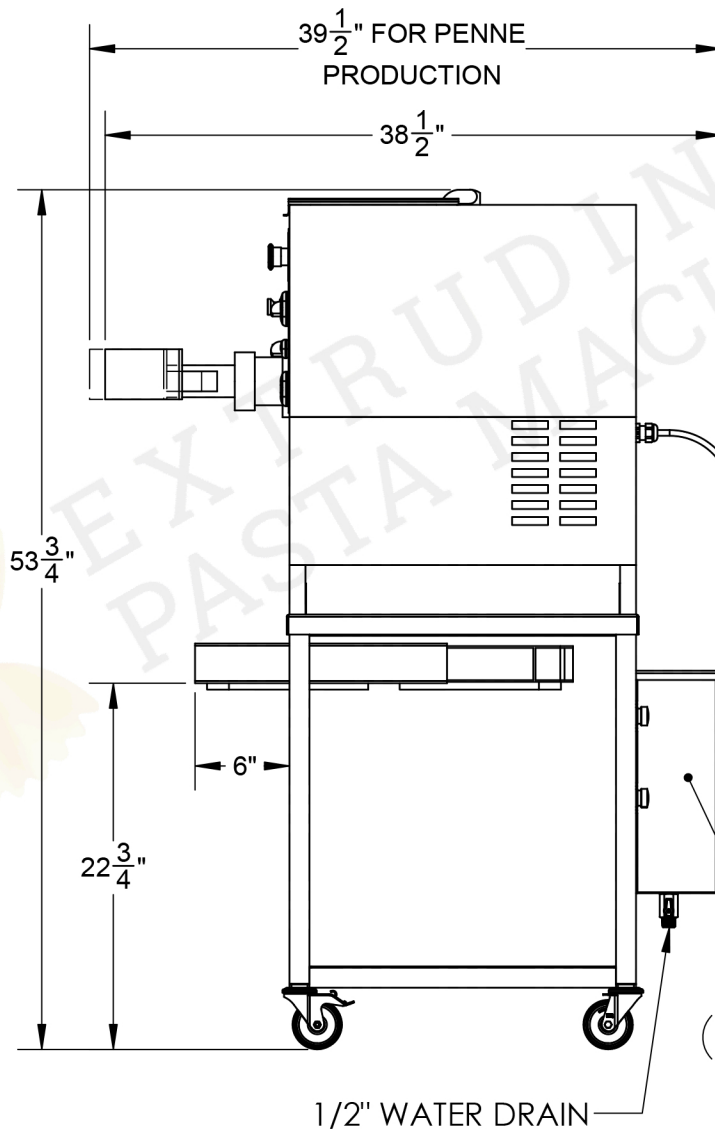
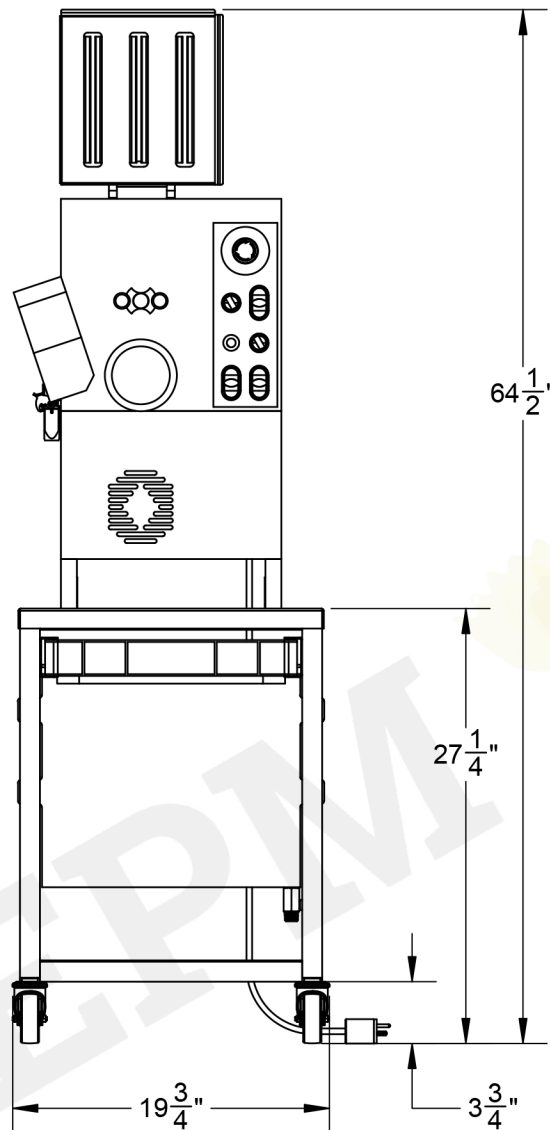


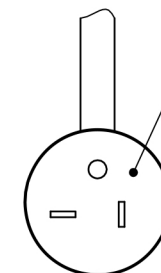
DIMENSIONS ARE SUBJECT TO VARIATION OF UP TO 1/2"



DIMENSIONS ARE SUBJECT TO VARIATION OF UP TO 1/2"



NEMA 5-20 PLUG



COOLING TANK

$1/2$ " WATER DRAIN

A

DIMENSIONS ARE SUBJECT TO VARIATION OF UP TO 1/2"

